

THE INTERNATIONAL GUILD OF KNOT TYERS

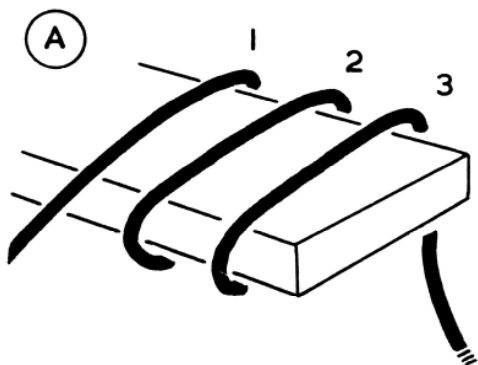
www.surreyknots.org.uk



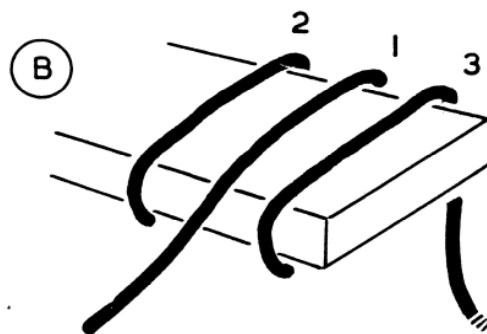
Scaffold Hitch

Original Drawing By
Percy W Blandford

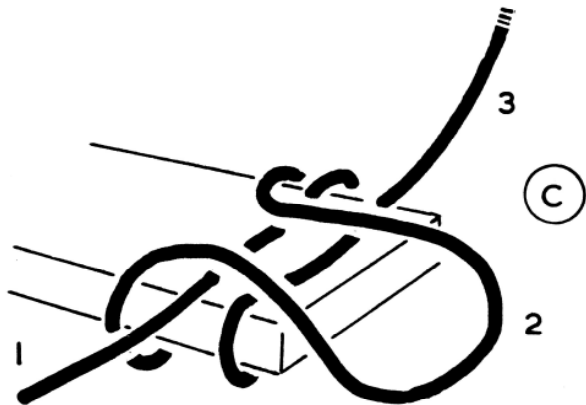
For use as one of a pair of ropes for slinging a plank as a seat.



A. Wrap rope around plank so there are three parts on top.



B. Lift the inner part (1) so it comes between the other parts.



C. Draw up some slack on what is now the inner part (2) and take it over the end of the plank.

D. Pull tight and join end into standing part with a bowline.

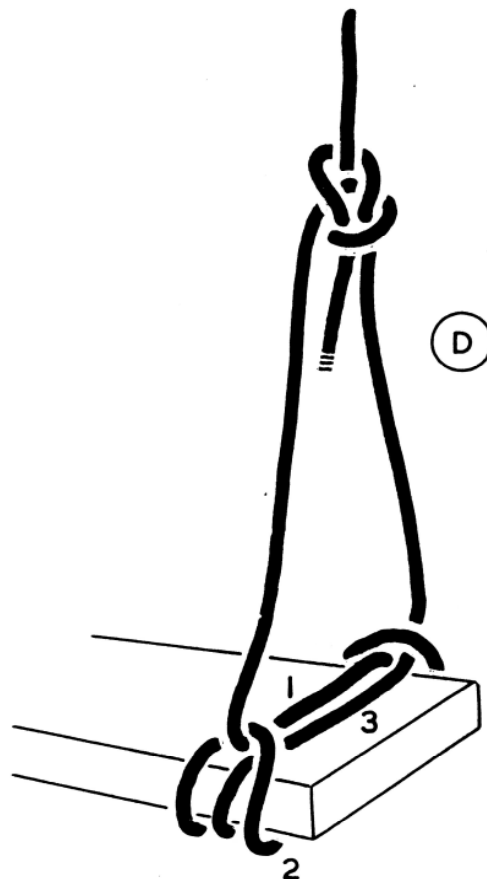


Chart No.
49

For further information about the Guild and its local branches across the world

Please go to www.igkt.net

HJD 21/04/09